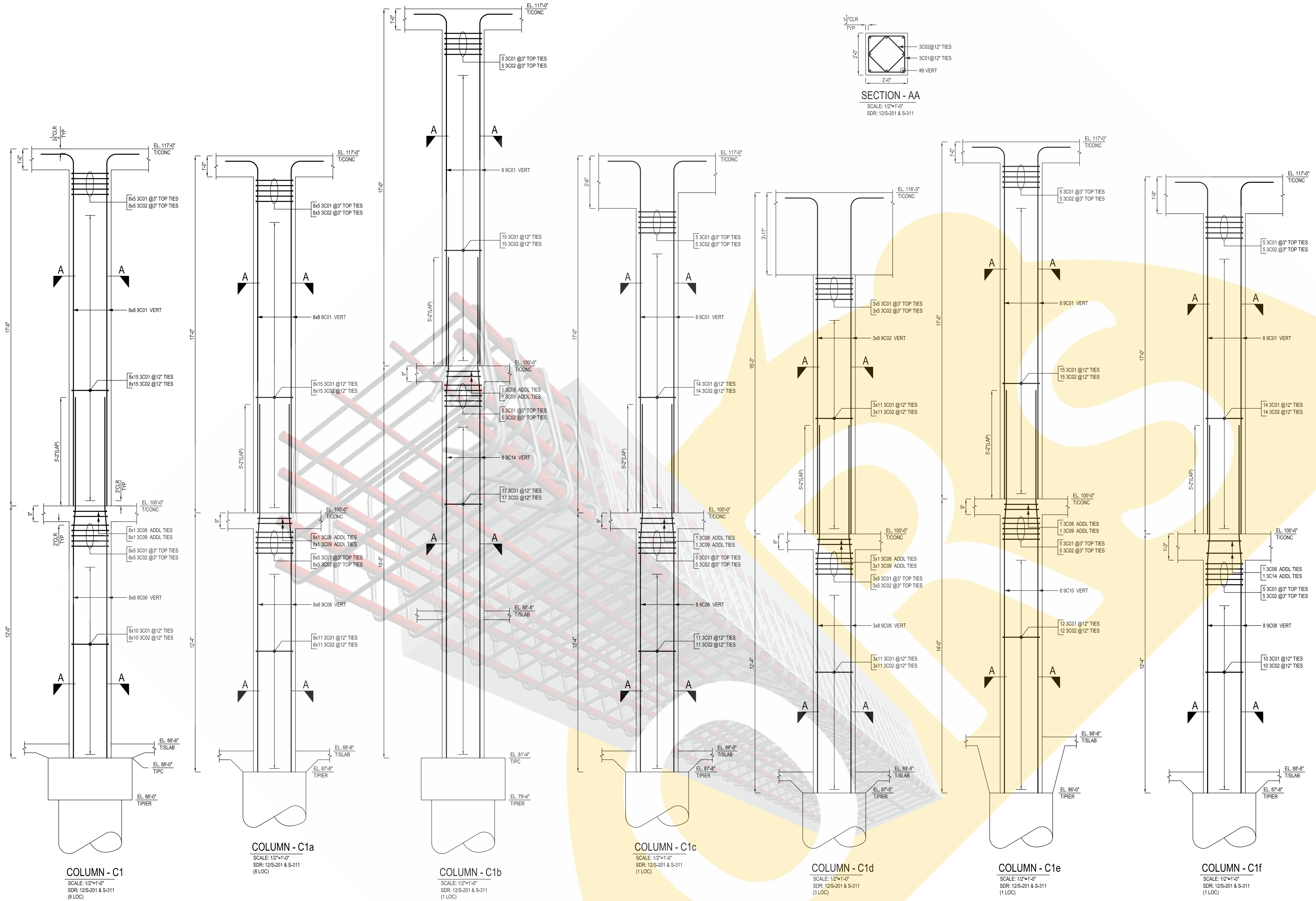
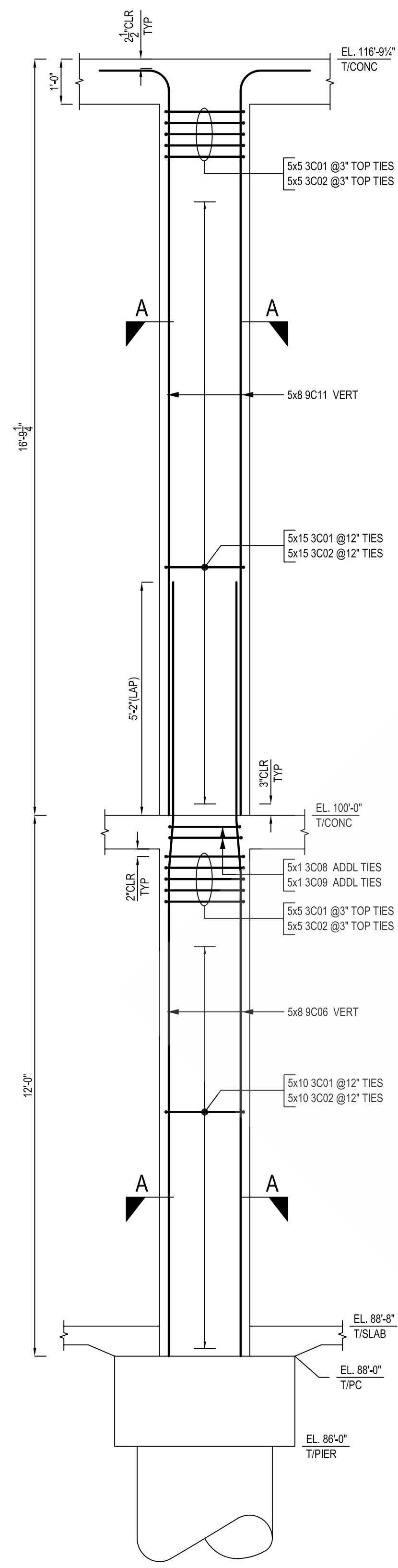


LEVEL 1 CONCRETE COLUMN REBAR LAYOUT  
 SCALE: 1/10"=1'-0"  
 SDR: S-101

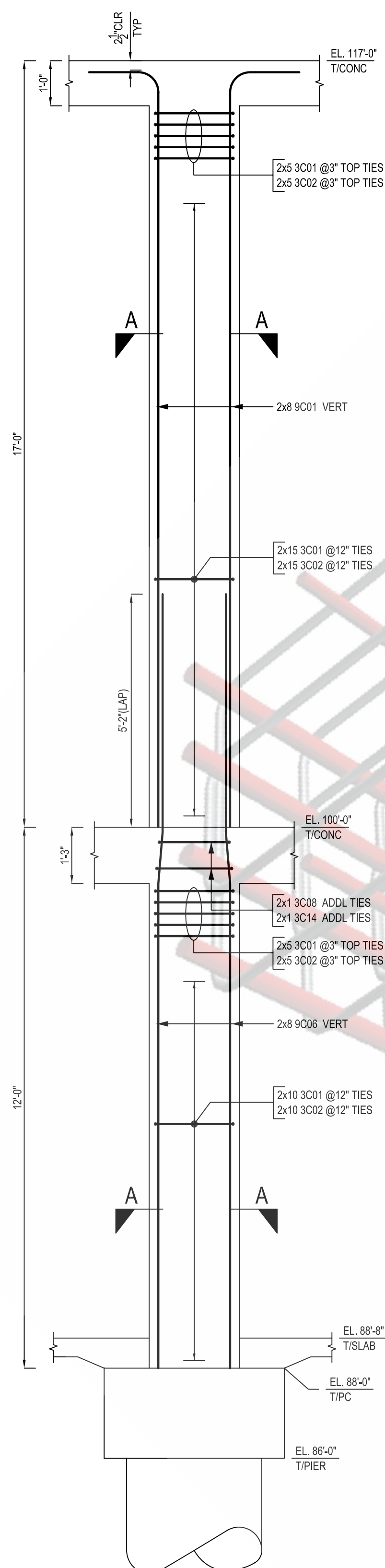
CONCRETE COLUMN REBAR LAYOUT  
 SCALE: 1/10"=1'-0"  
 SDR: S-100



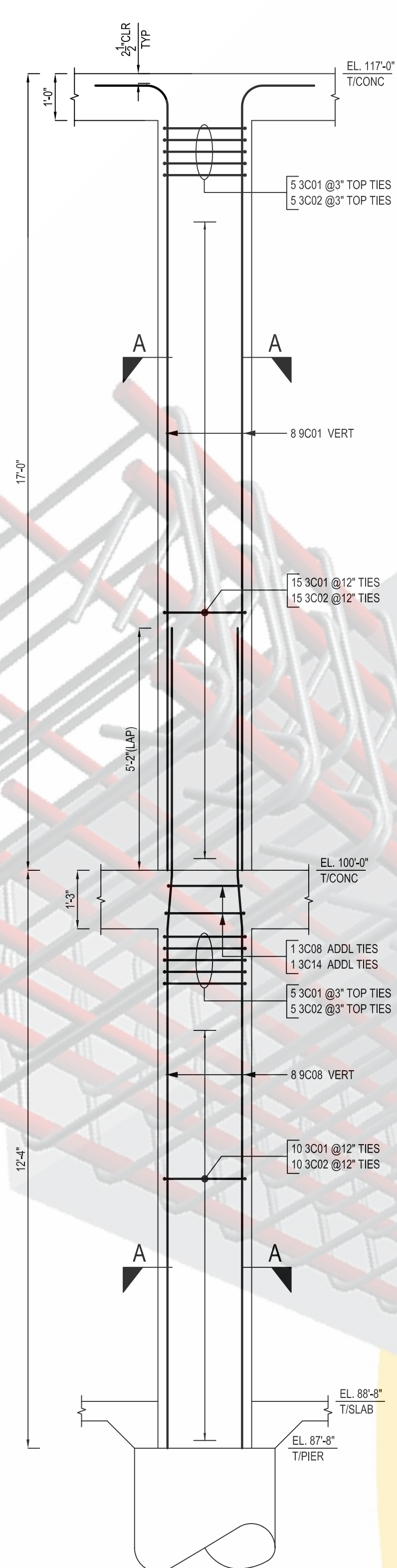
ONCE REBAR SERVICES



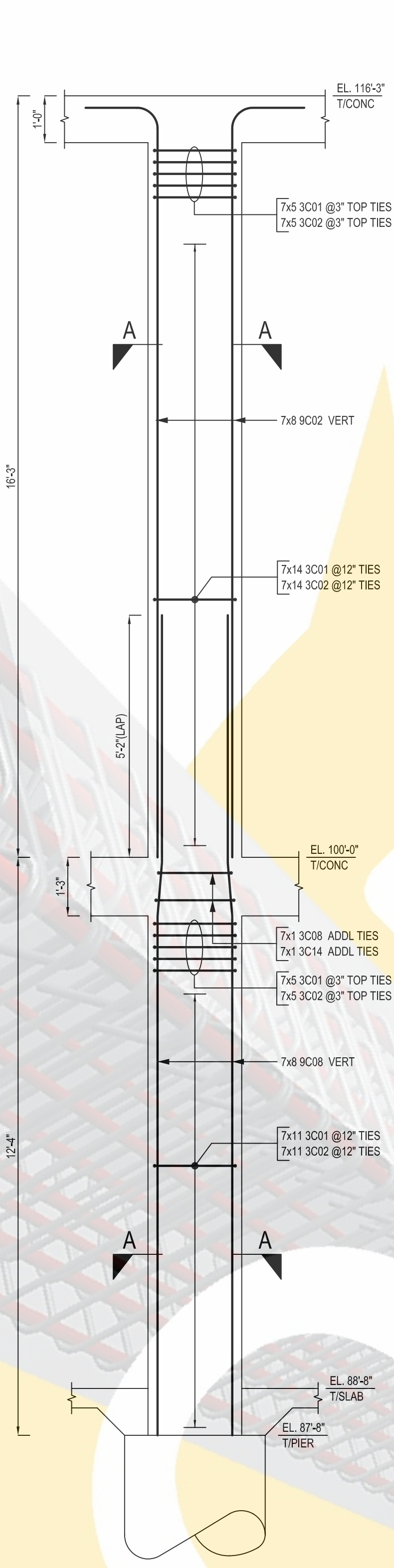
**COLUMN - C1g**  
 SCALE: 1/2"=1'-0"  
 SDR: 12/S-201 & S-311  
 (5 LOC)



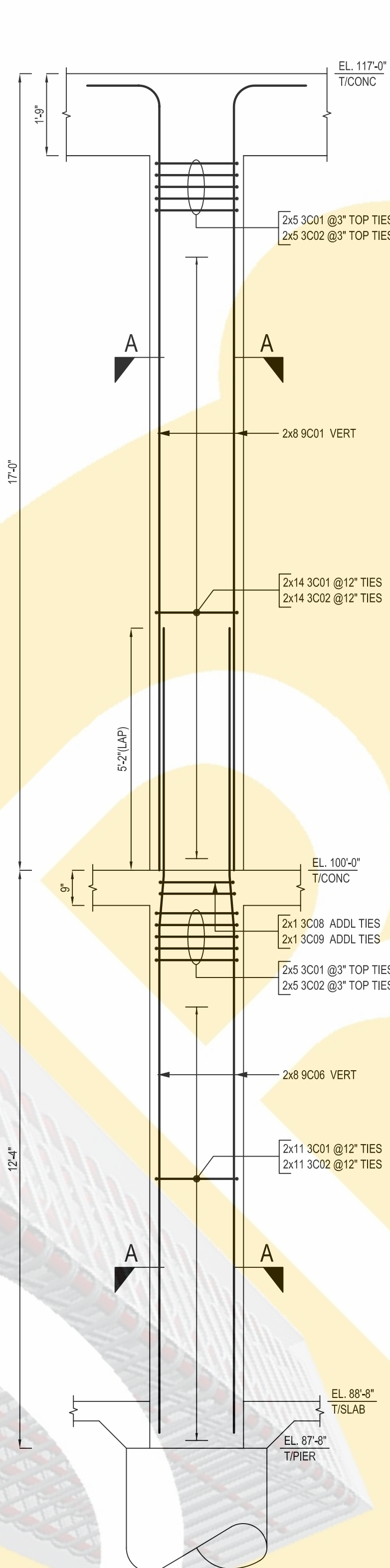
**COLUMN - C1h**  
 SCALE: 1/2"=1'-0"  
 SDR: 12/S-201 & S-311  
 (2 LOC)



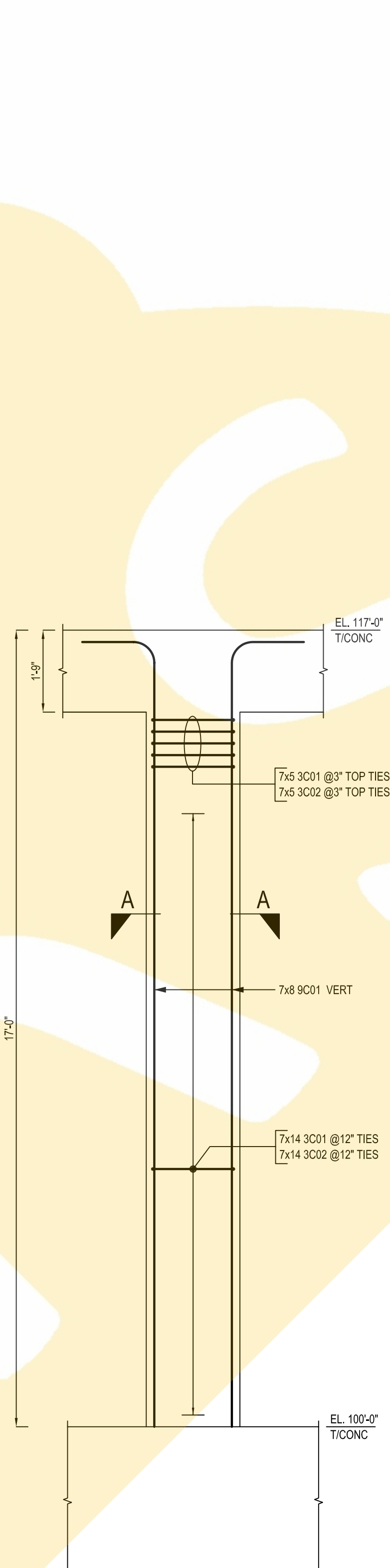
**COLUMN - C1j**  
 SCALE: 1/2"=1'-0"  
 SDR: 12/S-201 & S-311  
 (1 LOC)



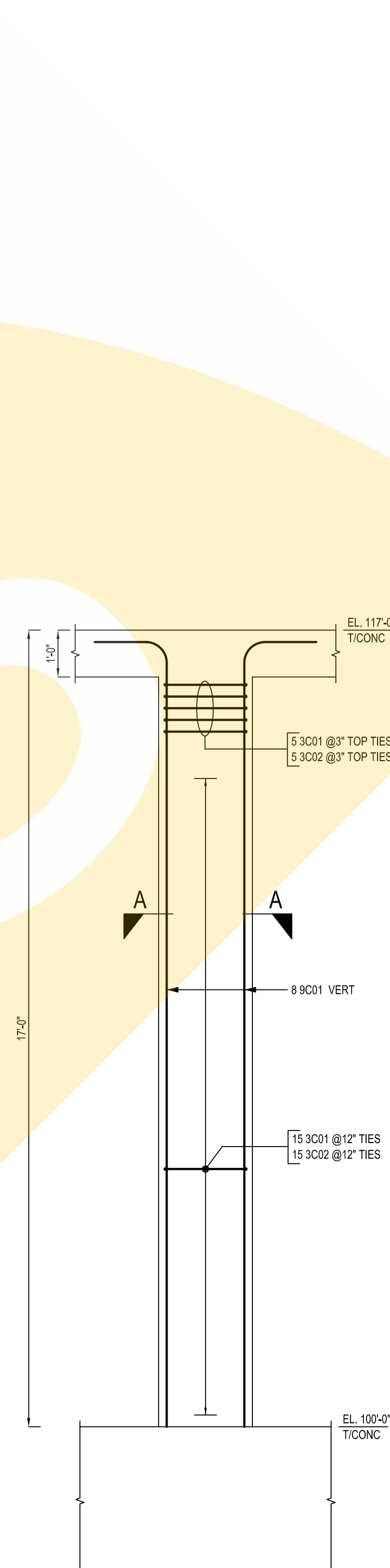
**COLUMN - C1k**  
 SCALE: 1/2"=1'-0"  
 SDR: 12/S-201 & S-311  
 (7 LOC)



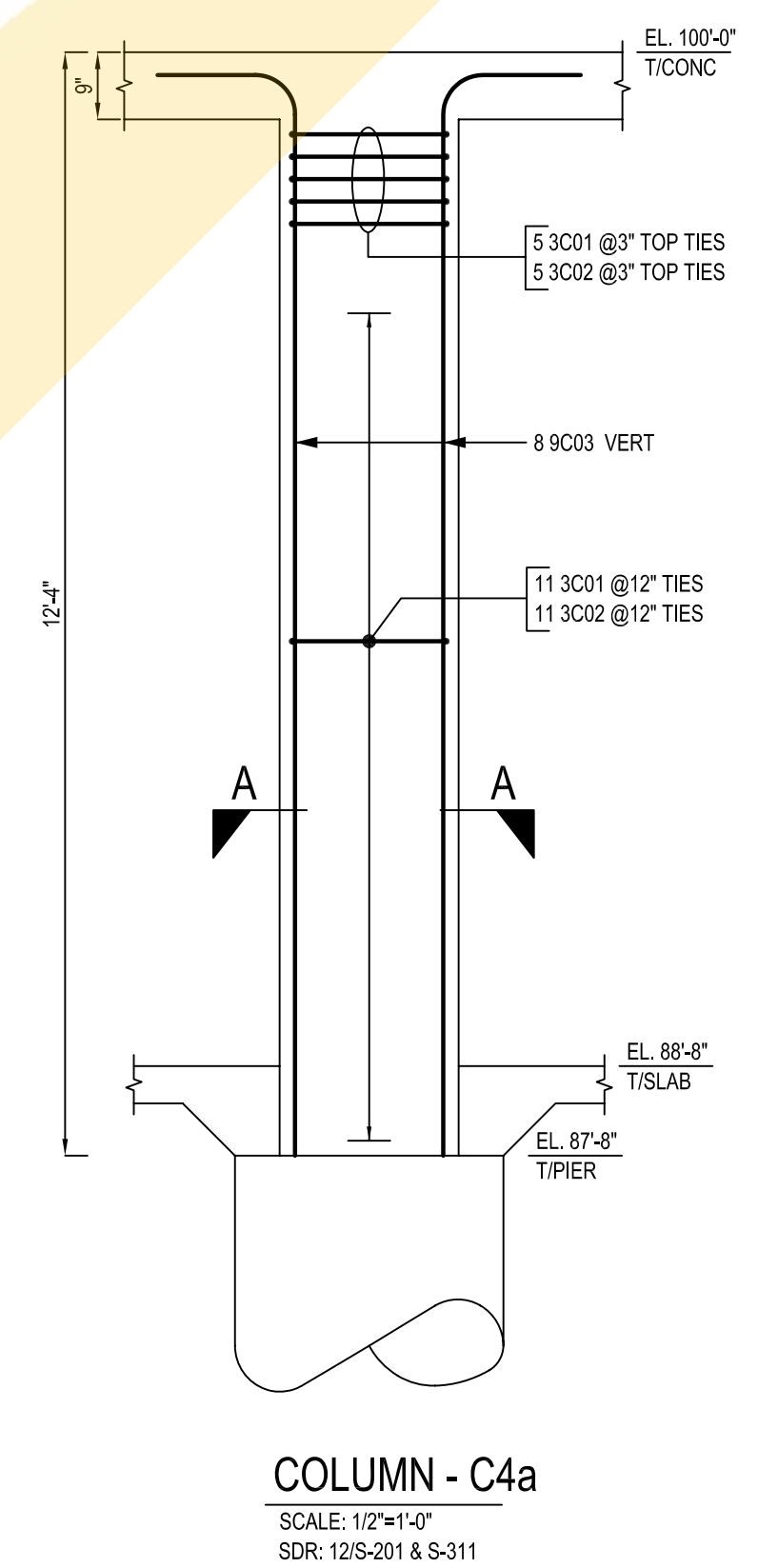
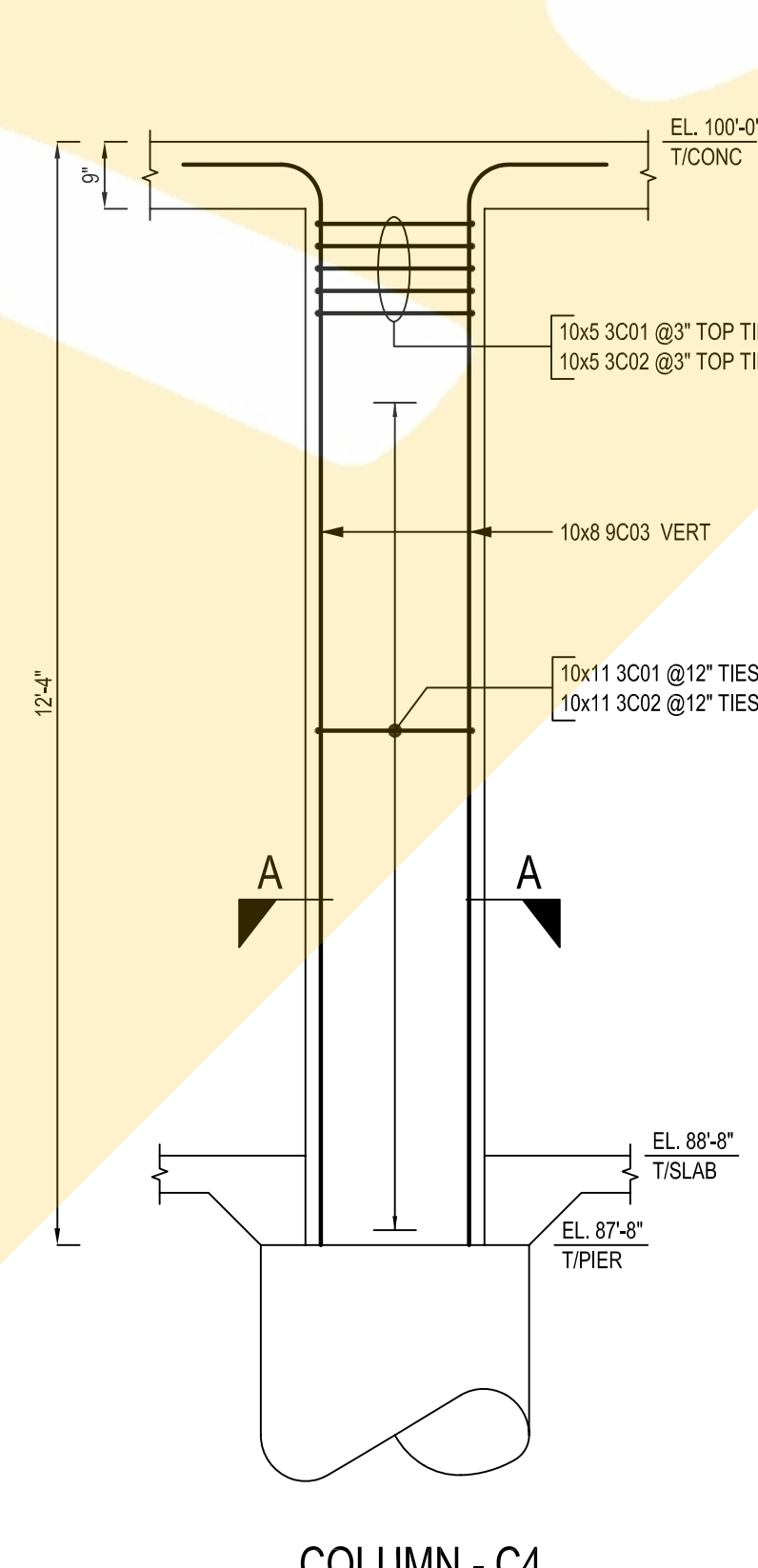
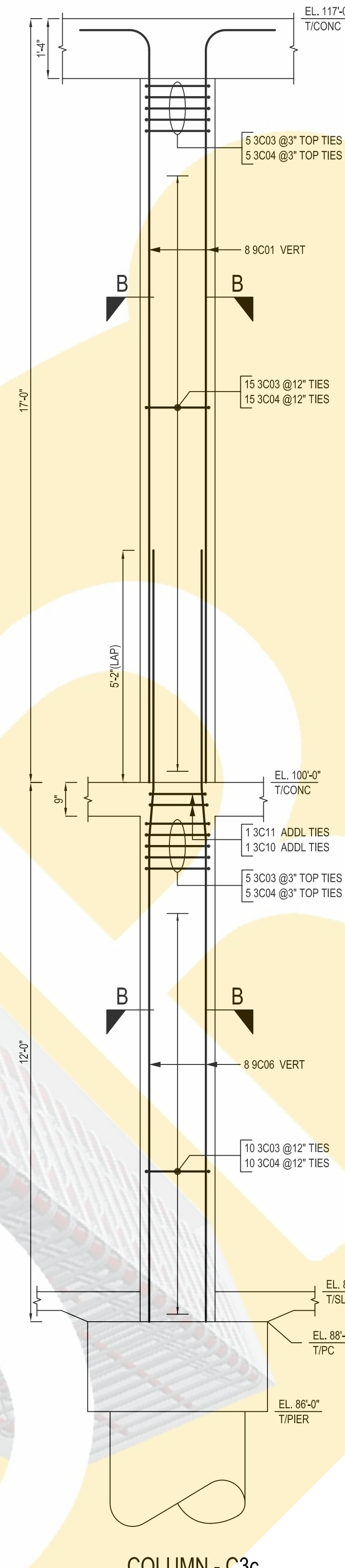
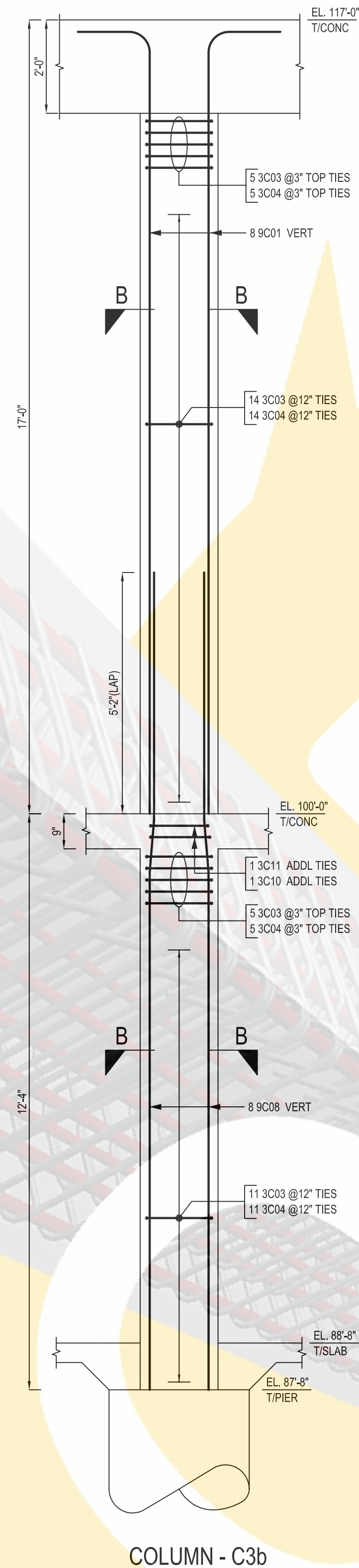
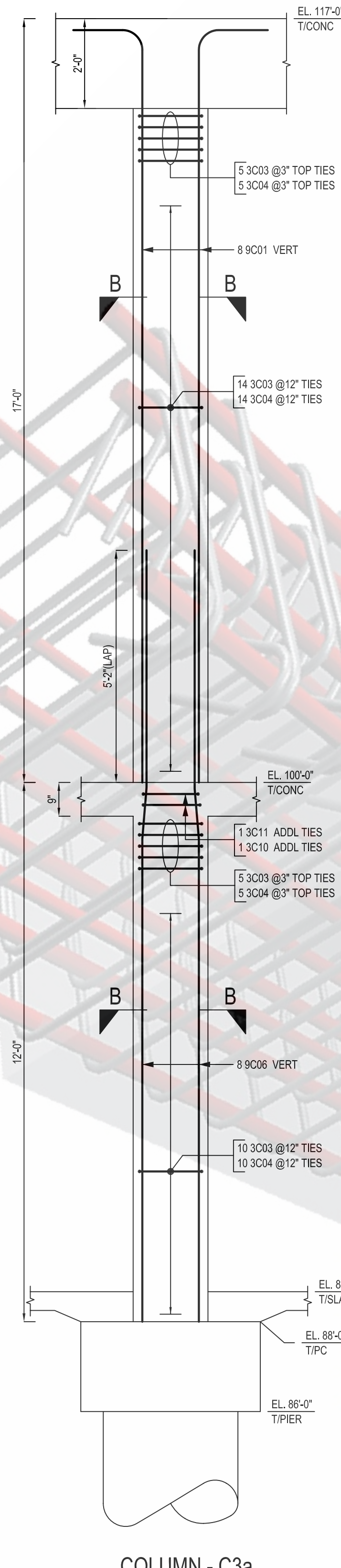
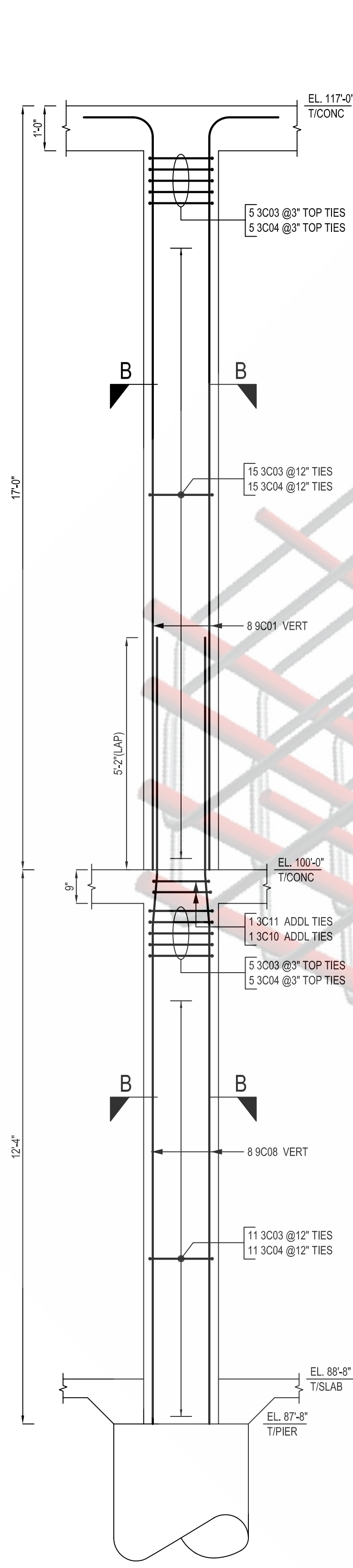
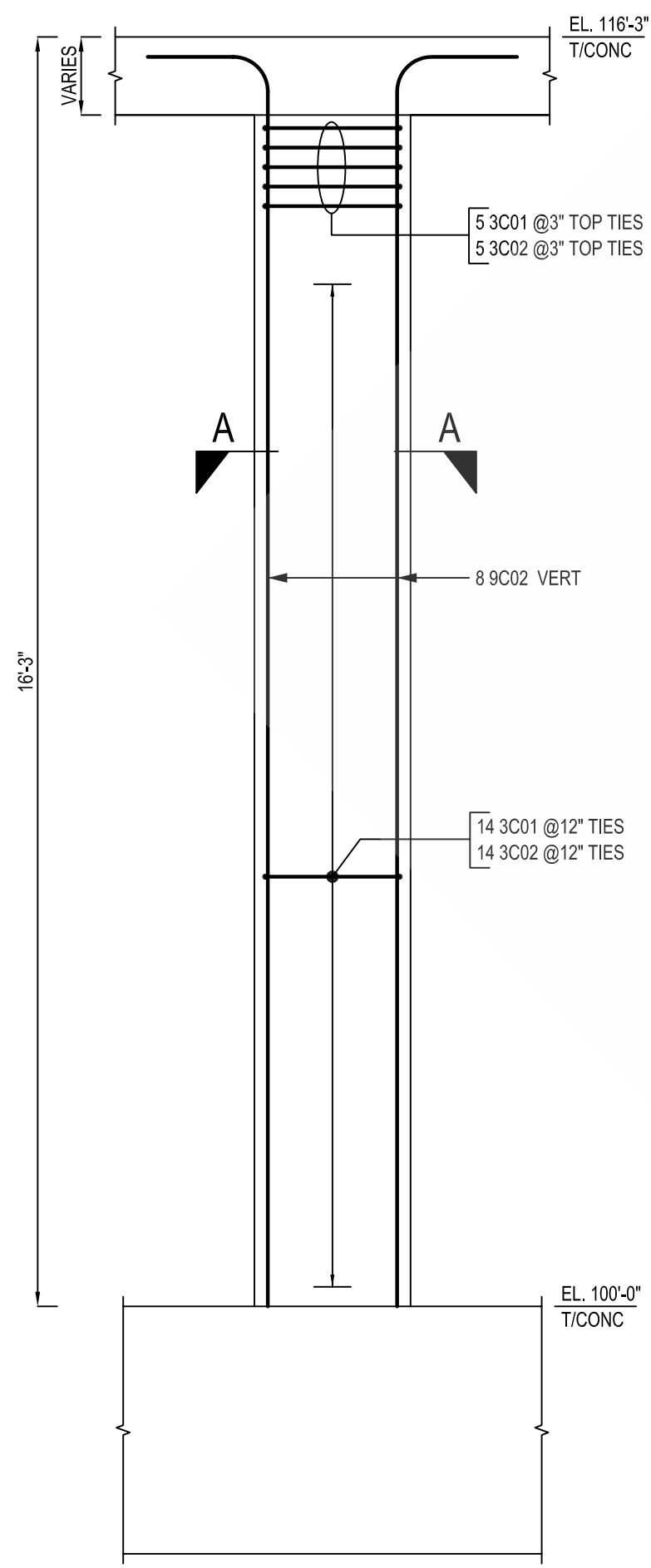
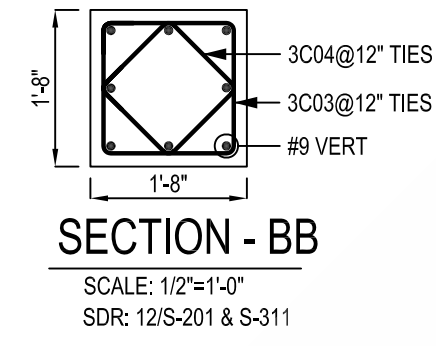
**COLUMN - C1l**  
 SCALE: 1/2"=1'-0"  
 SDR: 12/S-201 & S-311  
 (2 LOC)



**COLUMN - C2**  
 SCALE: 1/2"=1'-0"  
 SDR: 12/S-201 & S-311  
 (7 LOC)



**COLUMN - C2a**  
 SCALE: 1/2"=1'-0"  
 SDR: 12/S-201 & S-311  
 (1 LOC)



ONCE REBAR SERVICES

Release Number: R3.01-R3.05

|          |      | BENDING DETAILS |              |      |       |            |           |           |           |     |     |           |       |           |            |     |
|----------|------|-----------------|--------------|------|-------|------------|-----------|-----------|-----------|-----|-----|-----------|-------|-----------|------------|-----|
| Bar Mark | Qty  | Size            | Total Length | Type | 'A'   | 'B'        | 'C'       | 'D'       | 'E'       | 'F' | 'G' | 'H'       | 'J'   | 'K'       | 'O'        | 'R' |
| 3C01     | 1815 | #3              | 7'-8"        | T2   | 0'-4" | 1'-9"      | 1'-9"     | 1'-9"     | 1'-9"     |     |     | 0'-4"     |       |           |            |     |
| 3C02     | 1815 | #3              | 5'-10"       | T4   | 0'-4" | 1'-3 1/2"  | 1'-3 1/2" | 1'-3 1/2" | 1'-3 1/2" |     |     | 0'-4"     | 1'-9" | 1'-9"     | 1'-3 1/2"  |     |
| 3C03     | 140  | #3              | 6'-4"        | T2   | 0'-4" | 1'-5"      | 1'-5"     | 1'-5"     | 1'-5"     |     |     | 0'-4"     |       |           |            |     |
| 3C04     | 140  | #3              | 4'-10"       | T4   | 0'-4" | 1'-0 1/2"  | 1'-0 1/2" | 1'-0 1/2" | 1'-0 1/2" |     |     | 0'-4"     | 1'-5" | 1'-5"     | 1'-0 1/2"  |     |
| 3C05     | 32   | #3              | 9'-8"        | T2   | 0'-4" | 2'-3"      | 2'-3"     | 2'-3"     | 2'-3"     |     |     | 0'-4"     |       |           |            |     |
| 3C06     | 32   | #3              | 7'-6 1/2"    | T2   | 0'-4" | 1'-2 1/2"  | 2'-3"     | 1'-2 1/2" | 2'-3"     |     |     | 0'-4"     |       |           |            |     |
| 3C07     | 32   | #3              | 2'-11"       | T9   | 0'-4" | 2'-3"      |           |           |           |     |     | 0'-4"     |       |           |            |     |
| 3C08     | 40   | #3              | 6'-11"       | T2   | 0'-4" | 1'-6 3/4"  | 1'-6 3/4" | 1'-6 3/4" | 1'-6 3/4" |     |     | 0'-4"     |       |           |            |     |
| 3C09     | 29   | #3              | 7'-1"        | T2   | 0'-4" | 1'-7 1/4"  | 1'-7 1/4" | 1'-7 1/4" | 1'-7 1/4" |     |     | 0'-4"     |       |           |            |     |
| 3C10     | 4    | #3              | 5'-10"       | T2   | 0'-4" | 1'-3 1/2"  | 1'-3 1/2" | 1'-3 1/2" | 1'-3 1/2" |     |     | 0'-4"     |       |           |            |     |
| 3C11     | 4    | #3              | 5'-8"        | T2   | 0'-4" | 1'-3"      | 1'-3"     | 1'-3"     | 1'-3"     |     |     | 0'-4"     |       |           |            |     |
| 3C14     | 11   | #3              | 7'-5"        | T2   | 0'-4" | 1'-8 1/4"  | 1'-8 1/4" | 1'-8 1/4" | 1'-8 1/4" |     |     | 0'-4"     |       |           |            |     |
| 9C01     | 296  | #9              | 18'-4 1/2"   | 2    | 1'-7" | 16'-9 1/2" |           |           |           |     |     |           |       |           |            |     |
| 9C02     | 88   | #9              | 17'-7 1/2"   | 2    | 1'-7" | 16'-0 1/2" |           |           |           |     |     |           |       |           |            |     |
| 9C03     | 96   | #9              | 13'-8 1/2"   | 2    | 1'-7" | 12'-1 1/2" |           |           |           |     |     |           |       |           |            |     |
| 9C05     | 24   | #9              | 13'-4 1/2"   | 2    | 1'-7" | 11'-9 1/2" |           |           |           |     |     |           |       |           |            |     |
| 9C06     | 152  | #9              | 17'-1 1/4"   | 31   |       | 10'-9"     | 1'-1 1/2" | 5'-3 1/4" |           |     |     | 0'-2 1/4" |       | 1'-1 1/2" | 17'-1 1/4" |     |
| 9C08     | 184  | #9              | 17'-5 3/4"   | 31   |       | 11'-1"     | 1'-1 1/2" | 5'-3 1/4" |           |     |     | 0'-2 1/4" |       | 1'-1 1/2" | 17'-5 3/4" |     |
| 9C10     | 8    | #9              | 19'-1 3/4"   | 31   |       | 12'-9"     | 1'-1 1/2" | 5'-3 1/4" |           |     |     | 0'-2 1/4" |       | 1'-1 1/2" | 19'-1 3/4" |     |
| 9C11     | 40   | #9              | 18'-1 3/4"   | 2    | 1'-7" | 16'-6 1/4" |           |           |           |     |     |           |       |           |            |     |
| 9C14     | 8    | #9              | 23'-9 3/4"   | 31   |       | 17'-5"     | 1'-1 1/2" | 5'-3 1/4" |           |     |     | 0'-2 1/4" |       | 1'-1 1/2" | 23'-9 3/4" |     |
| 9C23     | 16   | #9              | 30'-8 1/2"   | 2    | 1'-7" | 29'-1 1/2" |           |           |           |     |     |           |       |           |            |     |

